

**AGENDA**  
**CITY OF MONTEVALLO**  
**Design Review Committee**

**February 11, 2020 – 3:00 P. M.**

City of Montevallo  
City Hall  
545 Main Street  
Montevallo, AL 35115

---

**PUBLIC HEARING**

- 1. Verification of Quorum.**
- 2. Call to Order.**
- 3. SP19-008 Highway 119 Dollar General Building Design**

This is the application of the Broadway Group for the construction of a retail store in the Scenic corridor Overlay district. The design of the building is a new prototype Dollar General Store.

- 4. Other Business.**
- 6. Adjourn.**

**City of Montevall Design Review Committee Board**  
**Application for Review**

Case No. 599-008 Permit No. \_\_\_\_\_ Project Address \_\_\_\_\_ Submittal Date 12/20/19

**APPLICANT**

Parcel # 27-1-02-0-000-001.003

Name: BROADWAY Group Telephone/Cell: 256-533-7287  
Address: P.O. Box 18968 Email: alyssa.carter@broadwaygroup.net

**OWNER**

Name: Lovelady Properties Telephone/Cell: \_\_\_\_\_  
Address: 3327 Pelham Pkwy Email: \_\_\_\_\_

**LOCATION**

Urban Core     Scenic Corridor     Historic District  
Location Address: N/A    PID 27-1-02-0-000-001.003  
Current Use: Vacant  
Proposed Use: Dollar General - Retail Store

**PROJECT DESCRIPTION**

- Maintenance of the site/replacement of existing materials
- Alterations/minor changes to existing construction
- Complete demolition and reconstruction
- Partial demolition and reconstruction
- New development
- Fencing/Berms/retaining walls
- New or additional lighting
- Accessory structure(s)
- Sign installation or replacement

**NOTES:**  
New Dollar General Retail Store  
→ New Concept Design

**DOCUMENTS ATTACHED:**

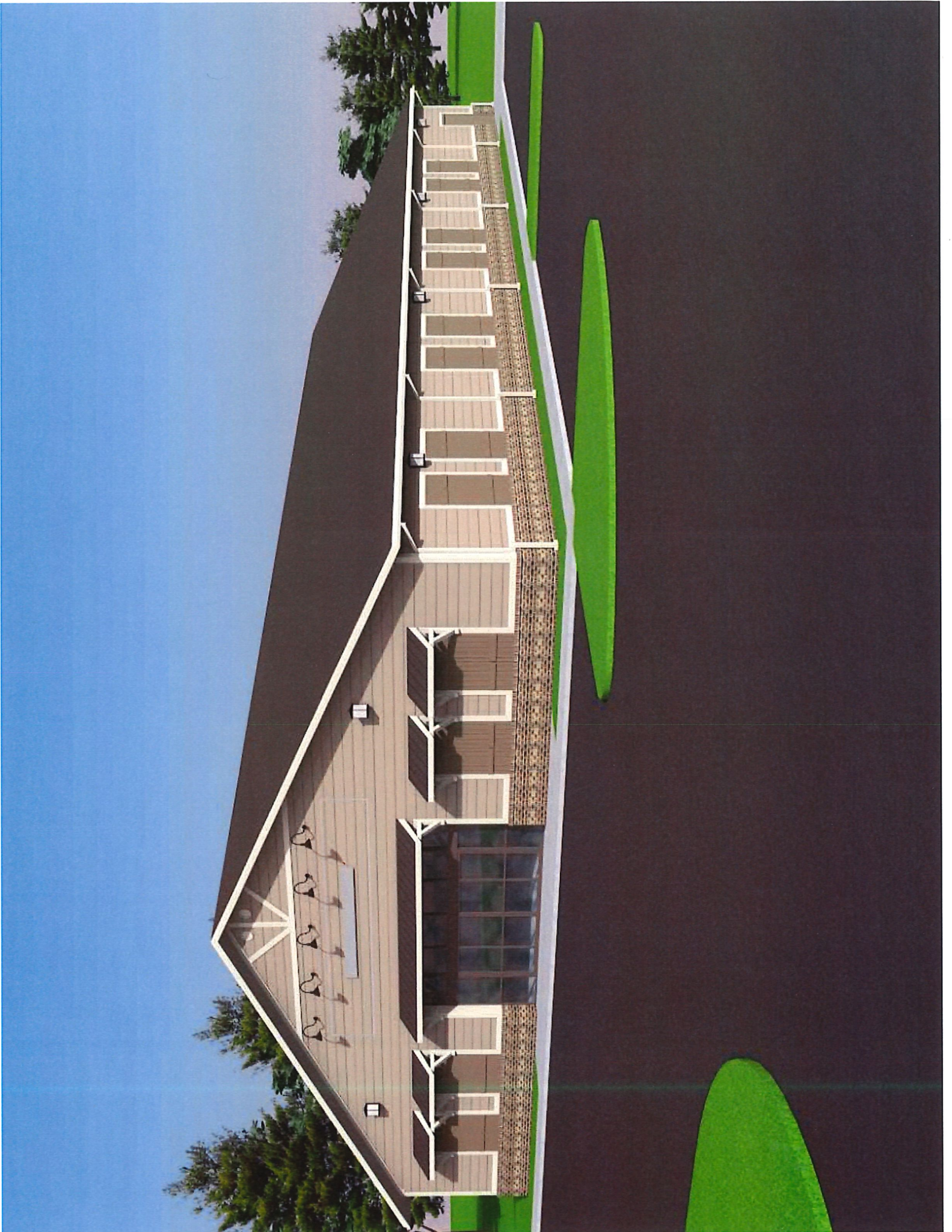
- Architectural Drawings including exterior elevations
- List of materials and color scheme
- Plot Plan identifying the location of all proposed and existing structures
- Photo of existing structure
- Landscaping Plan (when applicable)
- Fencing/Berms/retaining walls details
- Lighting details
- Sign details

**NOTES:**  
Site Plan for consideration by  
P&Z and City Council.  
ABB Reviewed and approved.  
Pole type for lighting

**For Internal Office Use Only**

Received by: KG Plan Date: 12/20/19  
DRC Distribution Date: \_\_\_\_\_ DRC Meeting Date: 2/11/2020  
Recommendation of the DRC:  
 Support/Approve COA     Support with Conditions     Oppose/Not Approve COA  
Conditions/Reason for Opposition:  
\_\_\_\_\_  
\_\_\_\_\_  
\_\_\_\_\_



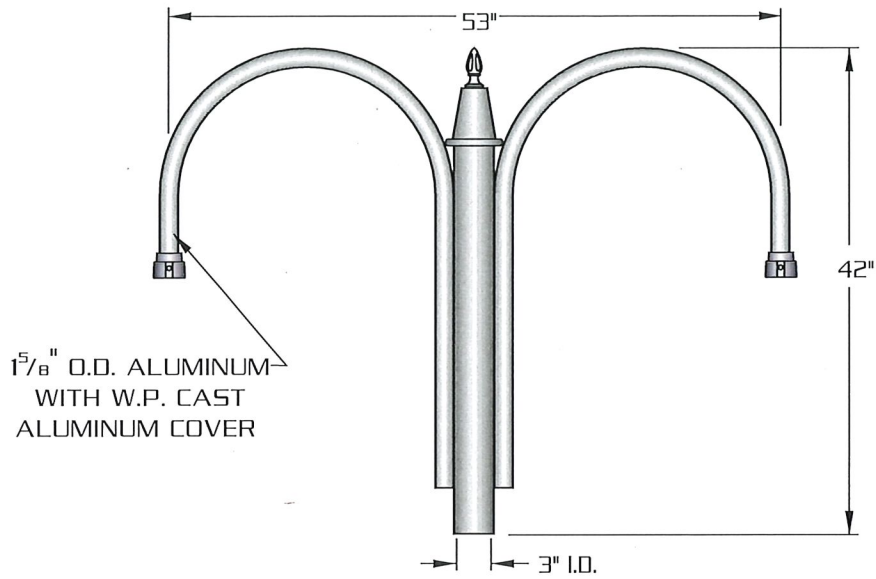






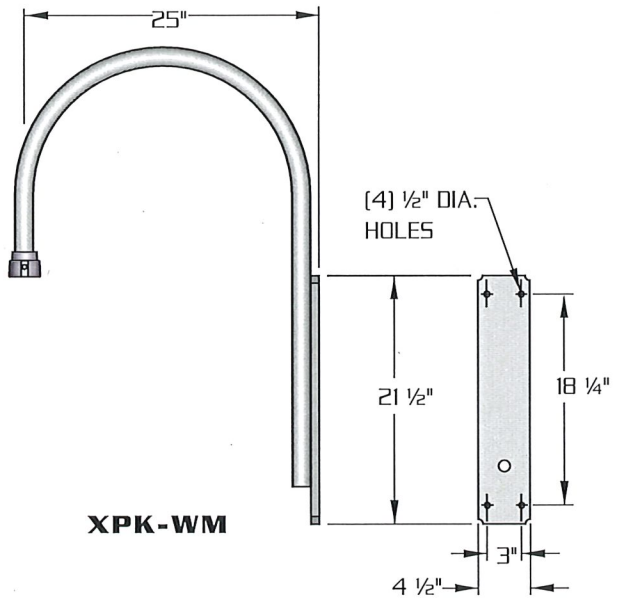
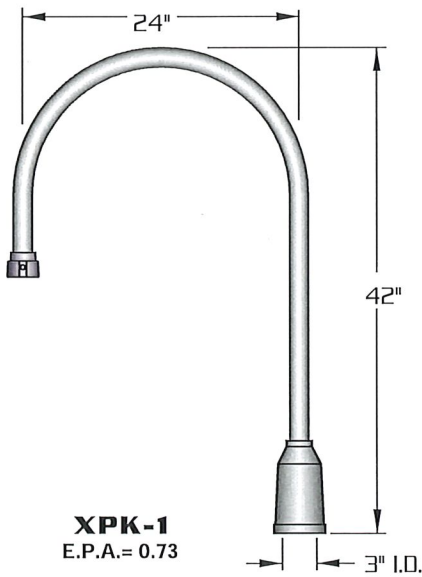


# XPK



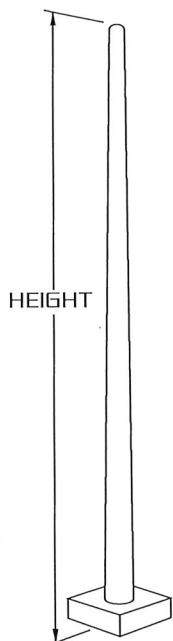
**XPK-2-180**  
E.P.A.= 1.86

SCALE: 3/4"=1'-0"



**DURABLE CORROSION RESISTANT, CAST AND EXTRUDED ALUMINUM CONSTRUCTION.**

# RTA



## ROUND TAPERED ALUMINUM

### SPECIFICATIONS

- SHAFT:** SPUN TAPERED FROM 6063 ALLOY ALUMINUM TUBING. HEAT TREATED TO PRODUCE A T6 TEMPER. SHAFT INCLUDES A PERIPHERALLY REINFORCED HAND HOLE FURNISHED WITH COVER. SHAFT IS FURNISHED WITH GROUND LUG LOCATED ON CAST ALUMINUM BASE PLATE.
- BASE PLATE:** CAST ALUMINUM CONSTRUCTED OF A-356 ALUMINUM ALLOY HEAT TREATED TO PRODUCE A T6 TEMPER. STRUCTURALLY ENGINEERED BASE INCLUDES EIGHT HEAVY WALL REINFORCING VERTICAL GUSSETS. BASE TELESCOPES AND IS CIRCUMFERENTIALLY WELDED TO SHAFT AT BOTH THE OUTSIDE TOP AND INSIDE BOTTOM OF THE BASE.
- ANCHORAGE:** (4) ANCHOR BOLTS FABRICATED FROM HOT ROLLED STEEL BAR. MINIMUM YIELD STRENGTH OF 50,000 P.S.I. BOLTS HAVE "L" BEND ON ONE END AND ARE THREADED ON THE OTHER END. BOLTS ARE FULLY GALVANIZED AND ARE FURNISHED WITH TWO NUTS AND TWO WASHERS.
- BASE COVER:** FABRICATED FROM HEAVY WALL ALUMINUM CONSTRUCTION. TWO PIECE COVER ENTIRELY CONCEALS BASE
- FINISH:** POLYESTER POWDER COAT-STATE OF THE ART 20 PSI PRESSURE POWER WASH AT 140° TEMPERATURE INCORPORATES FOUR STEP IRON PHOSPHATE PROCESS TO CLEANSE AND PRETREAT THE METAL SURFACE FOR MAXIMUM PAINT ADHESION. ELECTROSTATICALLY APPLIED TEXTURED POLYESTER POWDER TOPCOAT IS BAKED AT 400° TEMPERATURE FOR MAXIMUM HARDNESS AND EXTERIOR DURABILITY.



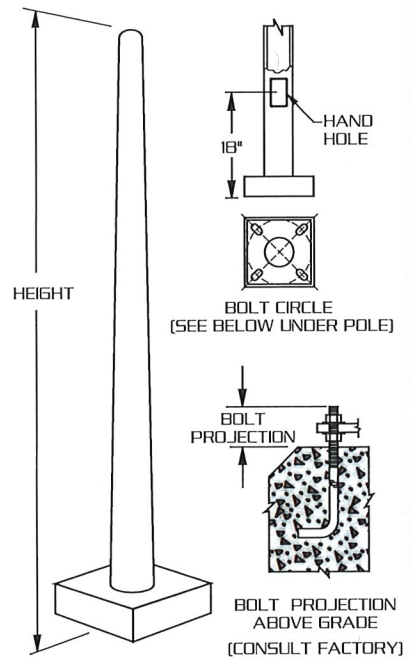
# RTA SERIES

## ENGINEERING DATA

### Maximum EPA - Square Feet

Catalog Number	Maximum Fixt. wgt.	100 MPH	90 MPH	80 MPH	70 MPH
RTA 1443-125	50	2.2	3.0	4.5	6.2
RTA 1643-125	50	1.1	1.8	2.9	4.4
RTA 1853-188	100	4.1	5.6	7.6	10.8
RTA 2064-188	200	5.6	7.5	10.1	14.2
RTA 2574-188	225	5.7	7.3	9.5	13.6
RTA 3084-188	200	5.6	7.4	9.9	13.5
RTA 3584-188	100	3.8	5.1	7.0	9.3
RTA 4084-250	200	4.2	5.4	7.6	10.7

All above design calculations are based on sustained wind forces plus additional 1.3 wind gust  
 (Example: Pole rated at 80 MPH withstands 104 MPH gusts)



## ORDERING INFORMATION

MODEL NO. : RTA	POLES	MOUNTING	FINISH	OPTIONS																																													
<b>RTA</b>	<table border="0"> <tr> <th>POLE HEIGHT</th> <th>SHAFT SIZE</th> <th>WALL THICKNESS</th> <th>BOLT CIRCLE</th> <th>ANCHORAGE</th> </tr> <tr> <td><input type="checkbox"/> 1443-125 14'</td> <td>4.0X3.0</td> <td>.125</td> <td>10 1/2"</td> <td>3/4"X18"X3"</td> </tr> <tr> <td><input type="checkbox"/> 1643-125 16'</td> <td>4.0X3.0</td> <td>.125</td> <td>11 1/2"</td> <td>3/4"X18"X3"</td> </tr> <tr> <td><input type="checkbox"/> 1853-188 18'</td> <td>5.0X3.0</td> <td>.188</td> <td>11 3/4"</td> <td>1"X36"X4"</td> </tr> <tr> <td><input type="checkbox"/> 2064-188 20'</td> <td>6.0X4.0</td> <td>.188</td> <td>13"</td> <td>1"X36"X4"</td> </tr> <tr> <td><input type="checkbox"/> 2574-188 25'</td> <td>7.0X4.0</td> <td>.188</td> <td>13"</td> <td>1"X36"X4"</td> </tr> <tr> <td><input type="checkbox"/> 3084-188 30'</td> <td>8.0X4.0</td> <td>.188</td> <td>13"</td> <td>1"X36"X4"</td> </tr> <tr> <td><input type="checkbox"/> 3584-188 35'</td> <td>8.0X4.0</td> <td>.188</td> <td>13"</td> <td>1"X36"X4"</td> </tr> <tr> <td><input type="checkbox"/> 4084-250 40'</td> <td>8.0X4.0</td> <td>.188</td> <td>13"</td> <td>1"X36"X4"</td> </tr> </table>	POLE HEIGHT	SHAFT SIZE	WALL THICKNESS	BOLT CIRCLE	ANCHORAGE	<input type="checkbox"/> 1443-125 14'	4.0X3.0	.125	10 1/2"	3/4"X18"X3"	<input type="checkbox"/> 1643-125 16'	4.0X3.0	.125	11 1/2"	3/4"X18"X3"	<input type="checkbox"/> 1853-188 18'	5.0X3.0	.188	11 3/4"	1"X36"X4"	<input type="checkbox"/> 2064-188 20'	6.0X4.0	.188	13"	1"X36"X4"	<input type="checkbox"/> 2574-188 25'	7.0X4.0	.188	13"	1"X36"X4"	<input type="checkbox"/> 3084-188 30'	8.0X4.0	.188	13"	1"X36"X4"	<input type="checkbox"/> 3584-188 35'	8.0X4.0	.188	13"	1"X36"X4"	<input type="checkbox"/> 4084-250 40'	8.0X4.0	.188	13"	1"X36"X4"	<input type="checkbox"/> 2 3/8"X4" TENON PT23 <input type="checkbox"/> 2 7/8"X4" TENON PT27 <input type="checkbox"/> OTHER TENON MT _____  <b>DRILL MOUNT</b> <input type="checkbox"/> 1..... <input type="checkbox"/> 3-90... <input type="checkbox"/> 2-180... <input type="checkbox"/> 4-90... <input type="checkbox"/> 2-90... <input type="checkbox"/> 3-120...  2-90, 3-90, 4-90 REQUIRES PT27 AND T490 ADAPTER      3-120 REQUIRES PT27 AND T3120 ADAPTER	<b>STANDARD SMOOTH FINISH</b> <input type="checkbox"/> BLACK RAL-9005-S <input type="checkbox"/> WHITE RAL-9003-S <input type="checkbox"/> GREY RAL-7004-S <input type="checkbox"/> DRK BRONZE RAL-8019-S <input type="checkbox"/> GREEN RAL-6005-S <b>OPTION:</b> <input type="checkbox"/> BRONZE ANODIZED AZ313 <input type="checkbox"/> NATURAL ANODIZED AZ <input type="checkbox"/> BLACK ANODIZED AZBK  <small>FOR TEXTURED FINISH REPLACE SUFFIX "S" WITH SUFFIX "T" (EXAMPLE: RAL-9005-T)</small> CONSULT FACTORY FOR CUSTOM COLORS	<input type="checkbox"/> DUPLEX RECEPTACLE DUP <input type="checkbox"/> GFI RECEPTACLE GFI <input type="checkbox"/> 3 WAY ADAPTER T3120 <input type="checkbox"/> 4 WAY ADAPTER T490 <input type="checkbox"/> ROUND BASE COVER RBC  <input type="checkbox"/> 1/2" COUPLING CPLN1/2 <input type="checkbox"/> 3/4" COUPLING CPLN3/4 <input type="checkbox"/> 2" COUPLING CPLN2 (SPECIFY COUPLING LOCATION)  SEE ACCESSORIES SECTION FOR OTHER OPTIONS.
	POLE HEIGHT	SHAFT SIZE	WALL THICKNESS	BOLT CIRCLE	ANCHORAGE																																												
<input type="checkbox"/> 1443-125 14'	4.0X3.0	.125	10 1/2"	3/4"X18"X3"																																													
<input type="checkbox"/> 1643-125 16'	4.0X3.0	.125	11 1/2"	3/4"X18"X3"																																													
<input type="checkbox"/> 1853-188 18'	5.0X3.0	.188	11 3/4"	1"X36"X4"																																													
<input type="checkbox"/> 2064-188 20'	6.0X4.0	.188	13"	1"X36"X4"																																													
<input type="checkbox"/> 2574-188 25'	7.0X4.0	.188	13"	1"X36"X4"																																													
<input type="checkbox"/> 3084-188 30'	8.0X4.0	.188	13"	1"X36"X4"																																													
<input type="checkbox"/> 3584-188 35'	8.0X4.0	.188	13"	1"X36"X4"																																													
<input type="checkbox"/> 4084-250 40'	8.0X4.0	.188	13"	1"X36"X4"																																													
<input type="checkbox"/> OTHER HEIGHTS SPECIFY _____																																																	

# SOLID STATE AREA LIGHTING

## DSAP SERIES-LED

### SPECIFICATIONS

#### HOUSING

Upper housing is heavy gauge cast aluminum (DSAP25) or 0.125" thick spun aluminum with reveal (DSAP1). Lower housing is 0.080" thick spun aluminum with integrated LED module seat. Lower housing is vented at top and bottom for convective cooling of LED module. Top Driver chamber is sealed from LED Module chamber. Trulevel ball coupling mount is welded to housing and facilitates quick leveling and installation.

#### LED OPTICS

Low copper A356 alloy (<.2% copper) cast aluminum housing. Integrated clear tempered glass lens sealed with a continuous silicone gasket protects emitters (LED's) and emitter Reflector-Prism optics, and seals the module from water intrusion and environmental contaminants. Module is sealed to meet an IP67 rating. Each emitter is optically controlled by a Reflector-Prism injection molded from H12 acrylic (3 types per module; one from 0° - 50°; one from 50° - 65°; one from 65° - 72°). Each Reflector-Prism has indexing pins for aiming and is secured to an optical plate made of matte black anodized aluminum. The optical plate locates every Reflector-Prism over an emitter. Reflector-Prisms are secured to the optical plate with a UV curing adhesive. The Reflector-Prisms are arrayed to produce IES Type II, III, IV, and V-SQ distributions. The entire Optical Module is field rotatable in 90° increments. Both module and drivers are factory wired using water resistant, insulated cord.

#### LED DRIVER

Drivers are UL and cUL recognized mounted on a single plate and factory prewired with quick-disconnect plugs. Constant current driver is electronic and has a power factor of >0.90 and a minimum operating temperature of -40°F. Drivers accept an input of 120-277V, 50/60Hz or 347-480V, 50/60Hz. (0 - 10V dimmable driver is standard. Driver has a minimum of 3KV internal surge protection. Luminaire supplied with 20KV surge protector for field accessible installation.)

#### LED EMITTERS

High output LED's are utilized with drive currents ranging from 350mA to 1050mA. 70CRI Minimum. LED's are available in standard Neutral White (4000K), or optional Cool White (5000K) or Warm White (3000K). Consult Factory for other LED options.

#### AMBER LED's

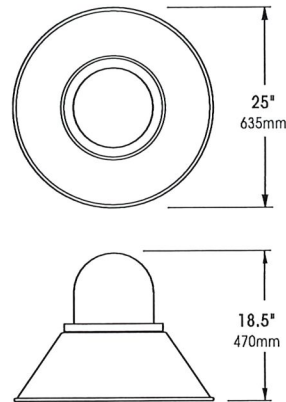
**PCA** (Phosphor Converted Amber) LED's utilize phosphors to create color output similar to LPS lamps and have a slight output in the blue spectral bandwidth. **TRA** (True Amber) LED's utilize material that emits light in the amber spectral bandwidth only without the use of phosphors.

#### FINISH

Electrostatically applied TGIC Polyester Powder Coat on substrate prepared with 20 PSI power wash at 140°F. Four step iron phosphate pretreatment for protection and paint adhesion. 400°F bake for maximum hardness and durability. Texture finish is standard.

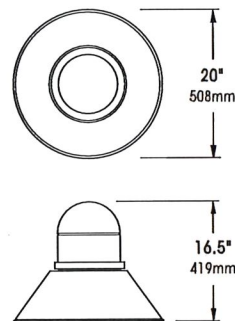
PROJECT NAME: \_\_\_\_\_

FIXTURE TYPE: \_\_\_\_\_



DSAP25

PATENT PENDING



DSAP1

PATENT PENDING



MADE IN THE  
USA

2018334

U.S. Architectural Lighting

660 West Avenue O, Palmdale, CA 93551  
Phone (661) 233-2000 Fax (661) 233-2001  
www.usallg.com



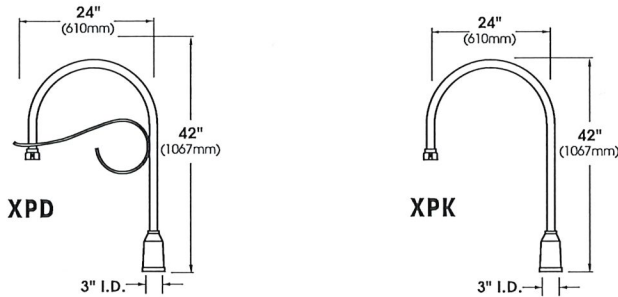
U.S. ARCHITECTURAL  
LIGHTING



# DSAP SERIES - LED

## S P E C I F I C A T I O N S

### MOUNTING STYLES

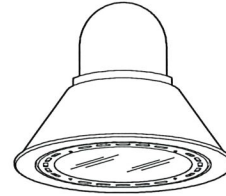


ARMS ARE HEAVY WALL EXTRUDED ALUMINUM CONSTRUCTION.  
FOR ADDITIONAL ARM OPTIONS SEE ARM SECTION OF USALTG.COM WEBSITE

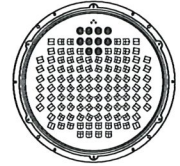
Approximate Average Lumens - 4000K  
(Lumens median of all distributions)

	350mA			525mA			700mA		
	Watts	Lumens	HID Eq.	Watts	Lumens	HID Eq.	Watts	Lumens	HID Eq.
48	53	5,843	70-100	77	8,046	100-175	103	10,074	200-250
64	71	7,791	100-175	102	10,728	175	138	12,402	315-350
80	87	9,164	150-175	130	12,493	200-250	173	15,539	350-400
100	110	11,055	200	160	15,295	350-400	-	-	-
120	129	13,265	250	192	18,354	400-450	-	-	-

### VLED® MODULES



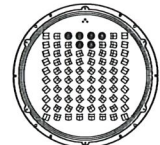
**DSAP25** E.P.A. = 1.23  
Available in:  
120, 100, 80 & 64  
LED Module



120 LED Module



**DSAP1** E.P.A. = 0.77  
Available in:  
80, 64 & 48  
LED Module



80 LED Module

Spec/Order Example: DSAP1/VLED-II/64LED-350mA/CW/208/XPD3-120/RAL-9003-T/DF

## S P E C / O R D E R I N G I N F O R M A T I O N

MODEL	OPTICS	LED MODE	VOLTAGE	MOUNTING	FINISH	OPTIONS	
<input type="checkbox"/> DSAP25 <input type="checkbox"/> DSAP1	<b>VLED® IES DISTRIBUTION TYPE</b> <input type="checkbox"/> TYPE II VLED-II ..... <input type="checkbox"/> TYPE III VLED-III ..... <input type="checkbox"/> TYPE IV VLED-IV ..... <input type="checkbox"/> TYPE V-SQ VLED-VSQ ..	<b># of LED's</b> <b>DSAP25</b> <input type="checkbox"/> 120LED <sup>1</sup> <input type="checkbox"/> 100LED <sup>1</sup> <input type="checkbox"/> 80LED <input type="checkbox"/> 64LED  <b>DSAP1</b> <input type="checkbox"/> 80LED <sup>1</sup> <input type="checkbox"/> 64LED <sup>1</sup> <input type="checkbox"/> 48LED  <b>OTHER LED COLORS AVAILABLE CONSULT FACTORY</b>  <b>AMBER<sup>2</sup></b> <input type="checkbox"/> PHOSPHOR CONVERTED AMBER PCA <input type="checkbox"/> TRUE AMBER <sup>3</sup> TRA  <small>NOTES: 1 - NOT AVAILABLE IN 700mA 2 - NARROW BAND AMBERS HAVE NO DEFINABLE CCT EQUIVALENT 3 - AVAILABLE IN 350mA &amp; 525mA DRIVE CURRENTS ONLY</small>	<b>DRIVE CURRENT</b> <input type="checkbox"/> 700mA <input type="checkbox"/> 525mA <input type="checkbox"/> 350mA  <b>COLOR</b> <input type="checkbox"/> NW (4000K) *STANDARD <input type="checkbox"/> CW (5000K) <input type="checkbox"/> WW (3000K)	<input type="checkbox"/> 120 <input type="checkbox"/> 208 <input type="checkbox"/> 240 <input type="checkbox"/> 277 <input type="checkbox"/> 347 <input type="checkbox"/> 480	<b>ARM MOUNT</b> <input type="checkbox"/> XPD <input type="checkbox"/> XPK <input type="checkbox"/> 1 ..... <input type="checkbox"/> 2-180 ..... <input type="checkbox"/> 3-120 ..... <input type="checkbox"/> 4-90 .....  <b>WALLMOUNT</b> <input type="checkbox"/> WM .....	<b>STANDARD TEXTURED FINISH</b> <input type="checkbox"/> BLACK RAL-9005-T <input type="checkbox"/> WHITE RAL-9003-T <input type="checkbox"/> GREY RAL-7004-T <input type="checkbox"/> DARK BRONZE RAL-8019-T <input type="checkbox"/> GREEN RAL-6005-T  <small>FOR SMOOTH FINISH REPLACE SUFFIX "T" WITH SUFFIX "S" (EXAMPLE: RAL-9500-S)</small> <small>SEE USALTG.COM FOR ADDITIONAL COLORS</small>	<input type="checkbox"/> HOUSE SIDE SHIELDED REFLECTOR PRISMS ... HS-VLED <input type="checkbox"/> PHOTO CELL + VOLTAGE (EXAMPLE: PC120V) ... PC+V <input type="checkbox"/> TWIST LOCK RECEPTACLE ONLY ... TPR <input type="checkbox"/> 7-PIN TWIST LOCK RECEPTACLE ONLY ... TPR7 <input type="checkbox"/> SINGLE FUSE (120V, 277V) ... SF <input type="checkbox"/> DOUBLE FUSE (208V, 240V) ... DF <input type="checkbox"/> HIGH-LOW DIMMING FOR HARDWIRED SWITCHING OR NONINTEGRATED MOTION SENSOR ... HLSW <input type="checkbox"/> STEP DIM MOTION SENSOR (PROGRAMMED 50/100) ... MS-F211 <input type="checkbox"/> REMOTE MOTION SENSOR CONFIGURATOR ... MS-FC10

